

AX 20

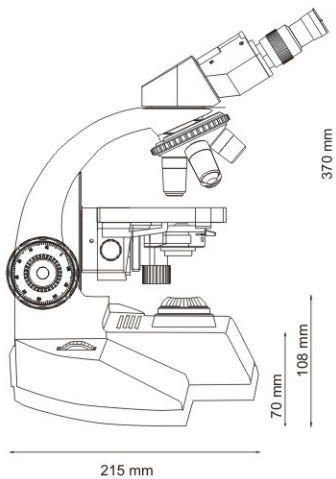
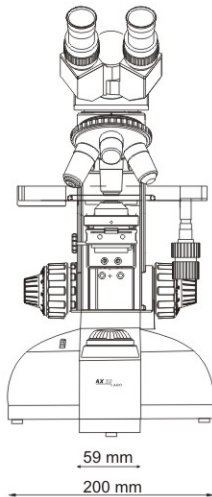
Lab Microscopy Solutions



LABO®

Worlds Within™

SPECIFICATIONS



STAND	C shaped, corrosion resistant, Anti mould treated stand with modular base
NOSEPIECE	Quintuple, Revolving nosepiece, with rubber grip
VIEWING BODIES	30° Inclined Siedentopf Binocular / Trinocular tubes, 360° rotatable with IPD 55-75 mm and dioptic adjustment
MECHANICAL STAGE	Double Plate 142mm×133mm. X-Y travel 76mm×50mm, spring clip Double Slide holder
CONDENSER	Movable ABBE condenser, with aspheric lens NA 1.25 & daylight blue filter& Iris diaphragm
FOCUSING SYSTEM	Ergonomic low position co-axial coarse and fine focusing system on ball bearing guideways. Tension adjustment ring and Auto Focus provided
ILLUMINATION	Koehler Illumination, 6V 20W Halogen Lamp, with Universal Power Supply 100 V to 240 V, AC 50-60 Hertz, CE Compliant. Optional 110 V/220 V transformer
EYEPIECES	WF 10X/18mm with Eye-guards. Anti Mould Treated. Optional WF 15x/16mm, WF 20x/12mm
OBJECTIVES	Semi Plan / Full Plan /Phase Plan Achromats, Anti Mould Treated SP Semi Plan 4x/NA 0.10, 10x/NA 0.25, 40x/NA 0.65 SL, 100x/NA 1.25 SL, Oil FP Plan 4x/NA 0.10, 10x/NA 0.25, 40x/NA 0.65 SL, 100x/NA 1.25 SL, Oil FPP Phase Plan 10x/NA 0.25, 20x/ NA 0.40, 40x/NA 0.65 SL, 100x/NA 1.25 SL, Oil Optional for SP Series & FP Series: 20x/ NA 0.40 SL, 60x/NA 0.85 SL
ACCESSORIES	Phase Contrast Kit, Dark Field Kit, Fluorescence attachment, Green filter, Polarizing kit, Video adapter, Photo adapters for 35mm SLR camera, CCD Camera and Digital Still Camera, 10x Photo eyepiece, Plano Concave Reflector Mirror



www.labomicrosystems.com

USA Facility:
LABO Microsystems
 6960-A Camino Maquiladora
 San Diego, CA 92154, USA.
 Tel : +1 604 944 0622, Fax: +1 604 608 3225
 Tel Toll Free USA/Canada 1 877 650 0117
 E-mail: sales@labomicrosystems.us

German Facility:
LABO Microsystems GmbH
 Bäckerstrasse 5
 21244 Buchholz, Germany
 Tel: + 49 4181 9906360
 Fax: + 49 4181 9906369
 E-mail: hq@labomicrosystems.com

Global Sales:
LABO Microsystems
 P.O. Box 213671, Jumeirah, Dubai.
 United Arab Emirates.
 Tel: + 97 150 242 0048
 Tel: + 91 941 666 6666
 E-mail: labo@labomicrosystems.com

