

DG 10

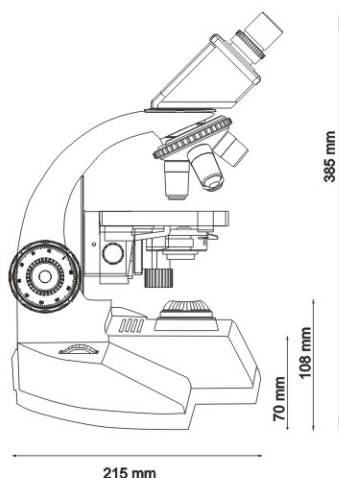
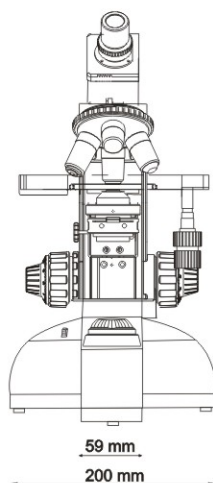
Lab Microscopy Solutions



LABO®

Worlds Within™

SPECIFICATIONS



OBSERVATION TUBE	Dual Mono tube, 45° inclined, 360° rotatable with inbuilt 1.3 Mega Pixel Digital Imaging Module
EYEPIECES	WF 10x/18mm with pointer and Eye-guard, Anti Mould Treated. Optional WF 15x/16mm, WF 20x/12mm
OBJECTIVES	BJ series Semi Plan Achromatic, Anti Mould Treated, 4x/NA 0.10, 10x/NA 0.25, 40x/NA 0.65 SL, 100x/NA 1.25 SL, Oil. Optional 20x/ NA 0.40 SL, 60x/NA 0.85 SL
ILLUMINATION	Detachable Illumination, 6V 20W Halogen Lamp, with Universal Power Supply 100 V to 240 V, AC 50-60 Hertz, CE Compliant. Optional 110 V/220 V transformer
IMAGE DEVICE	1.3 Mega pixel Color CMOS sensor
RESOLUTION	Effective Pixels 1280 (H) x 960 (V) Scanning system: Progressive scan Frame speed: 15 fps at 1280 x 960 pixels
LIGHT SENSITIVITY	1 Lux
INTERFACE	USB ver 2.0
SOFTWARE	dgsoft ProMED ver 5.06 Image Analysis Software
SYSTEM REQUIREMENTS	CPU : Pentium IV or Higher, RAM : 512 MB or more, Hard Disk Space : 100 MB or more, Windows 98SE/ME/2000/XP, CD-Rom drive and USB 2.0 port



www.labomicrosystems.com

USA Facility:
LABO Microsystems
 6960-A Camino Maquiladora
 San Diego, CA 92154, USA.
 Tel : +1 604 944 0622, Fax: +1 604 608 3225
 Tel Toll Free USA/Canada 1 877 650 0117
 E-mail: sales@labomicrosystems.us

German Facility:
LABO Microsystems GmbH
 Bäckerstrasse 5
 21244 Buchholz, Germany
 Tel: + 49 4181 9906360
 Fax: + 49 4181 9906369
 E-mail: hq@labomicrosystems.com

Global Sales:
LABO Microsystems
 P.O. Box 213671, Jumeirah, Dubai.
 United Arab Emirates.
 Tel: + 97 150 242 0048
 Tel: + 91 941 666 6666
 E-mail: labo@labomicrosystems.com



JAS-ANZ

